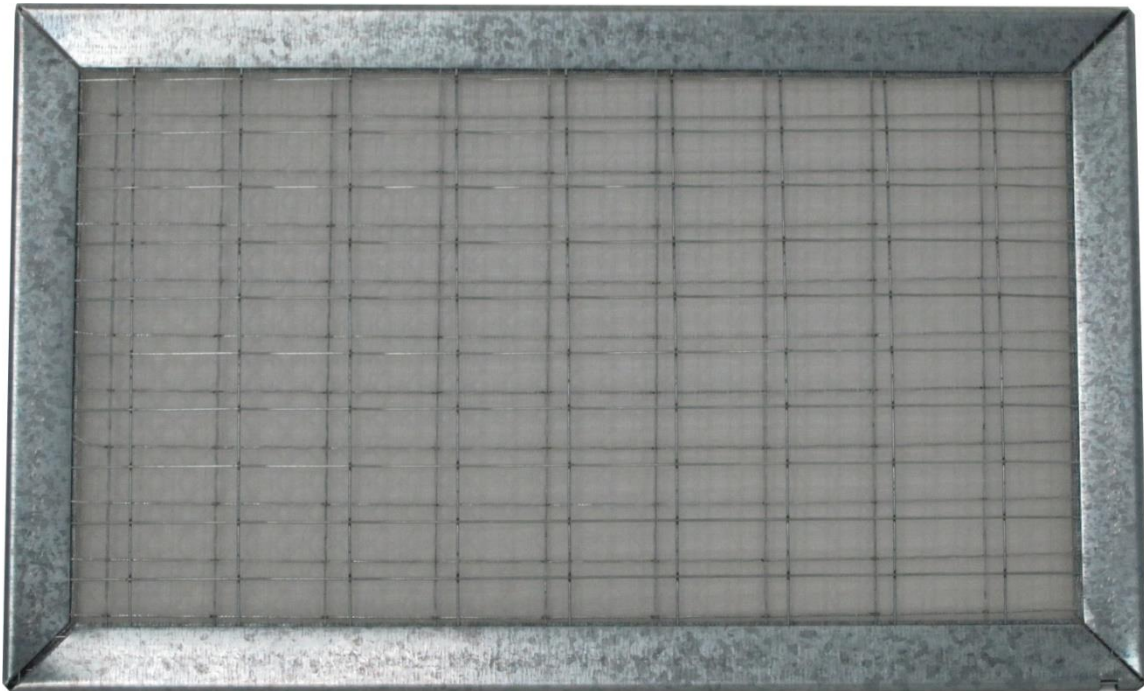




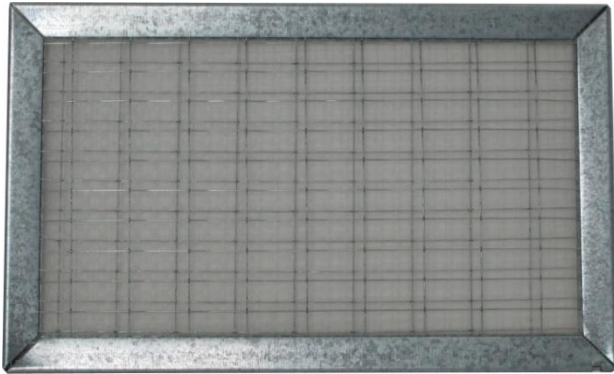
FNEN

Flat fan coil filter





FNEN flat fan coil filter



Versions

FNEN(standard version)

With frame and two electrowelded galvanised grilles, NEN 0.20 clear filter medium

FNEN/1RZ

With frame and one electrowelded galvanised grille, NEN 0.20 clear filter medium

FNEN/SR

With frame and NEN 0.20 clear filter medium Without

General features

FNEN filters comprise a galvanised sheet metal frame and honeycomb polypropylene filter medium held between two electrowelded galvanised grilles, mesh size 12x24.

The regenerable filter medium used in the FNEN filter generates extremely low headlosses and is the ideal solution for use in fan coils.

Application

Fan coil filtration, coarse pre-filtration for heat exchanger banks.

Conditions of use

Maximum operating temperature: 80 °C

Recommended flow speed through filtration medium: 1 m/s

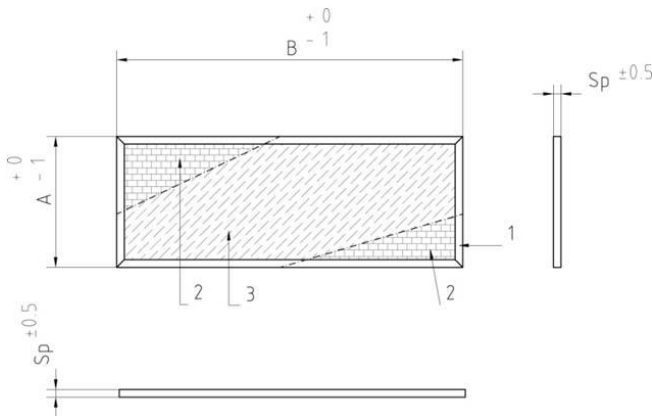
Alternative filter media

FNEN filter versions can be fitted with a variety of filter media:



- NAN 0.23 clear medium (filter code FNAN, FNAN/1RZ, FNAN/SR)
- NEO 0.20 black medium (filter code FNEO, FNEO/1RZ, FNEO/SR)
- NAO 0.25 black medium (filter code FNAO, FNAO/1RZ, FNAO/SR)
- NAN/V0 medium, class V0 under UL94 (filter code FNAN/V0, FNAN/V0-1RZ, FNAN/V0-SR)

Dimensions



Key

- 1) Galvanised sheet steel frame
- 2) Electrowelded galvanised retainer wire meshes, mesh size 12x24mm

Specification data

- Specification data for order
- Quantity
 - Base (B)
 - Height (H)
 - Thickness (Sp)

Filter medium headloss

The headloss when air is passed through the clean filter medium at 1 m/s is 4 Pa.

When 30 g. of test dust is injected, the initial weighted efficiency A is 48% and the headloss is 11 Pa.