



TZF

Modular filter frame





TZF Modular filter frame



Versions

TZF (standard version)

Fully galvanised modular filter frame with galvanised springs and metal fasteners

TXF/304

Modular filter frame in AISI 304L 2B stainless steel throughout, with Springflex steel springs and AISI 304 metal fasteners

TXF/316

Modular filter frame in AISI 316L 2B stainless steel throughout, with Springflex steel springs and AISI 304 metal fasteners

General features

TZF-TXF modular frames are ideal for the construction of filter walls. They easily accommodate prefiltration units and soft and rigid pocket filters.

The outstanding ductility of the TZF-TXF frame allows installation of filters having thickness 23, 48, 23+48, 98 and 98+23, depending on the frame used.

TZF frames are built in rugged galvanised sheet steel and TXF frames in AISI 304 or AISI 316 sheet stainless steel. All types have a series of holes for versatile installation.

Frames are supplied complete with:

- Filter fixing springs (4 per frame) => Galvanised for galvanised frames and SpringFlex stainless steel for stainless steel frames,
- Metal fasteners (4 screws + 4 nuts per frame) => Galvanised for galvanised and 304 stainless steel frames,
- Dual component co-extruded anti-bacteria polyurethane gasket (ready-mounted on frame) tested in accordance with DIN EN ISO 846



Application

Construction of filter walls able to accommodate any type of filter

The table below contains the thicknesses of filters (and combinations) which can be installed in standard frames.

Thickness mm - Th	Filter combination compatible with frame
75	Filter thickness 23
	Filter thickness 48
98	Filter thickness 23
	Filter thickness 48
	Filter thickness 48+23
140	Filter thickness 23
	Filter thickness 48
	Filter thickness 98
	Filter thickness 48+23
	Filter thickness 98+23

Conditions of use

Frames can be used in environments with maximum temperature of 80°C. Above this temperature, the gasket starts to show signs of deterioration.

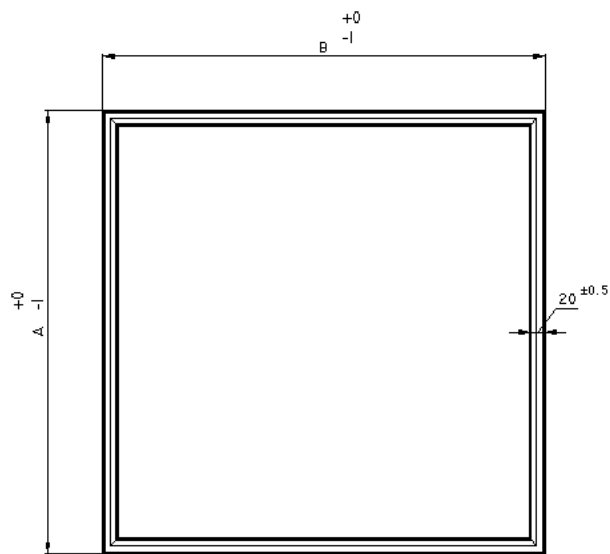
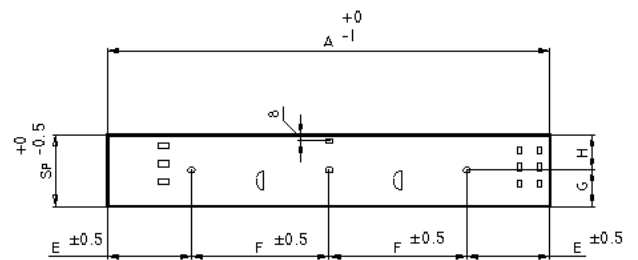
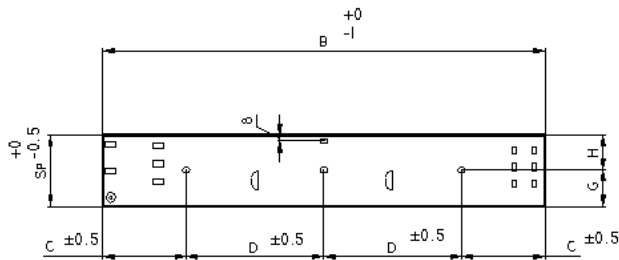
Frames are supplied on pallets. In case of storage, the original packaging should be left in place and pallets should be placed indoors, avoiding prolonged exposure to the weather.

Accessories

Accessory Code	Description
2S9053/3	Spring for galvanised frame
2S9053/4	SpringFlex steel spring for stainless steel frame
9S0103/13	TBL Combi screw, M6x8 galvanised
9S0101/1	Nut M6x8 galvanised
9S0103/14	TBL Combi screw, M6x8 in 304 stainless steel
9S0101/4	Nut M6x8 AISI 304 stainless steel
2S5101/1604	PVC gasket, 15x4, with adhesive on one side



Dimensions



Note

All holes are slots 7x10

Specification data

Specification data for order

- Quantity
- Base (B)
- Height (A)
- Thickness (Th)
- Material

Description	Base mm - B	Height mm - A	Thickness mm - Th	C mm	D mm	E mm	F mm	G mm	H mm	Weight of TZF frame
TZF/TXF	610	305	75	115	190	152.5	-	37.5	37.5	1.7
TZF/TXF	610	508	75	115	190	115	139	37.5	37.5	1.9
TZF/TXF	610	610	75	115	190	115	190	37.5	37.5	2.2
TZF/TXF	610	305	98	115	190	152.5	-	50	48	2.1
TZF/TXF	610	508	98	115	190	115	139	50	48	2.5
TZF/TXF	610	610	98	115	190	115	190	50	48	2.8
TZF/TXF	610	305	140	115	190	152.5	-	50	90	2.8
TZF/TXF	610	508	140	115	190	115	139	50	90	3.6
TZF/TXF	610	610	140	115	190	115	190	50	90	3.8